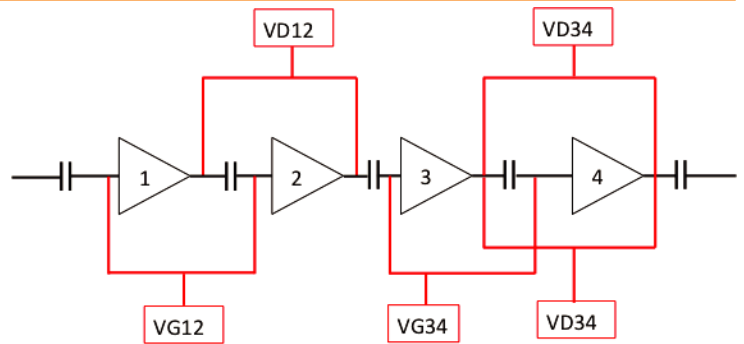


### Product Features

- 28-30 GHz operation
- +34.6 dBm Psat (3W)
- +25 dB linear gain
- 28 lead 5x5 mm QFN package

### Block Diagram



### Applications

SATCOM, AESA, and Point-to-Point Radios

### General Description

The AWP1102 is a 4-stage high power amplifier that provides a typical saturated output power of +34.6 dBm across the frequency band and a typical gain of 25 dB. The HPA is fabricated on a 0.15  $\mu$ m PHEMT process and packaged in a 5x5 mm QFN.

### Electrical Characteristics

Temp = +25°C, 50 $\Omega$  input/output loading

Parameter	AWP1102
Frequency (GHz)	28 - 30
Gain (dB)	25
Output Psat (dBm)	34.6
Bias Voltage - Drain (V)	6
Bias Current - Drain (A), under RF drive	2.9
Operating Range	-40 to +85 °C
Package Size (mm)	5x5 mm 24 pin QFN